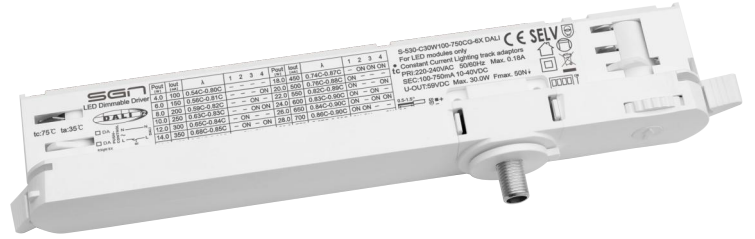


# Constant Current Dimmable Driver

- The housing is made from V0 flame retardant PC materials from COVESTRO.
- Small size and light weight. Wide range of applicable lamps.
- Class 2 LED driver, Safety Extra Low Voltage (SELV).
- Innovative thermal management technology intelligently protects the life of the LED driver.
- Overheat, overload, short circuit protection and automatic recovery.
- Up to 50,000-hour life time.
- 5-year warranty (AiSHi capacitor).



The certification icon represents on-going certification applications only, and final certification qualification is subject to actual products.



Model	Output Current	Input Current	Input Power	Output Power Range	PF	Typical Efficiency	Output Voltage	No load Voltage
S-530-C30W100-750CG-6X-DALI	100mA	0.05A	5.33W	1.00-4.0W	0.54-0.80	75%	10-40V	59V
	150mA	0.06A	7.79W	1.50-6.0W	0.56-0.81	77%	10-40V	59V
	200mA	0.07A	10.26W	2.00-8.0W	0.59-0.82	78%	10-40V	59V
	250mA	0.08A	12.82W	2.50-10.0W	0.63-0.83	78%	10-40V	59V
	300mA	0.09A	15.19W	3.00-12.0W	0.65-0.84	79%	10-40V	59V
	350mA	0.10A	17.28W	3.50-14.0W	0.68-0.85	81%	10-40V	59V
	400mA	0.11A	20.00W	4.00-16.0W	0.71-0.86	80%	10-40V	59V
	450mA	0.12A	22.22W	4.50-18.0W	0.74-0.87	81%	10-40V	59V
	500mA	0.13A	24.39W	5.00-20.0W	0.76-0.88	82%	10-40V	59V
	550mA	0.14A	26.83W	5.50-22.0W	0.82-0.89	82%	10-40V	59V
	600mA	0.15A	28.92W	6.00-24.0W	0.83-0.90	83%	10-40V	59V
	650mA	0.16A	30.95W	6.50-26.0W	0.84-0.90	84%	10-40V	59V
	700mA	0.17A	33.33W	7.00-28.0W	0.86-0.90	84%	10-40V	59V
	750mA	0.18A	35.29W	7.50-30.0W	0.87-0.90	85%	10-40V	59V

\* Test result @230V, 50Hz, Full Load

## Parameters

Category	Item	Technical Norm
	Output Type	Constant Current
Features	Dimming Type	DALI 2
	Output Features	Isolation
	IP Grade	IP20
	Insulation Class	Class II Class (compatible Class I)
	Rated Input Voltage	220-240VAC
	Range of Input Voltage	198-264VAC
	Range of DC Input Voltage	180-280VDC
	Frequency	50/60Hz
	Overvoltage protection	2h@380VAC, 48h@320VAC
	Input Current	≤0.18A (230VAC, full load)
	Input Power	≤35.29W (230VAC, full load)

<b>Input</b>	Power Factor	≥0.90	(230VAC, full load)
	THD	≤20%	(230VAC, full load)
	Standby Power Consumption	≤0.45W	@230VAC (DIM to off)
	Inrush Current	≤8.5A/16us	(230VAC, full load)
	Connected quantity of 10A Breaker Connected quantity of 13A Breaker Connected quantity of 16A Breaker Connected quantity of 20A Breaker	22pcs/type A ;36pcs/type B ; 58pcs/type C @ 230Vac 29pcs/type A ;47pcs/type B ; 76pcs/type C @ 230Vac 36pcs/type A;58pcs/type B ; 94pcs/type C @ 230Vac 45pcs/type A;73pcs/type B ; 117pcs/type C @ 230Vac	
<b>Output</b>	Output Voltage Range	10-40VDC@100-750mA ;	
	No-load Voltage	59VDC Max.	
	Output Current	100mA-750mA (Max.output) , Factory set current of 100mA	
	Max. Output Power	30W	
	Efficiency	≥85%	(230VAC, full load)
	Output LF current ripple (< 120 Hz)	±3%	(Imax-Imin) / (Imax+Imin)
	Current Accuracy	±5%	
	Starting Time (AC mode)	≤0.8S	(230VAC, full load,by DALI system)
	PstLM	≤1	
	SVM	≤0.4	
<b>Control Method</b>	Secondary PUSH dimming	Secondary PUSH dimming (Max. lead wire length:20m,same port of DALI)	
	DALI function	DALI dimming (Max. lead wire length:300m) logarithm or linear dimming curve selectable	
	Dimming range	DALI dimming: 1%-100%	
	PUSH-button	Max parallel connections qty for Push-dim 15	
<b>Protection</b>	Short Circuit Protection	Auto Recovery	
	Overload Protection	Auto Recovery (not be hot swap)	
	No-load Protection	Auto Recovery	
	Insulation voltage	3000V 5mA 60S between P-S	
	Insulation resistance	>100M ohm @ 500VDC	
	Leakage current	< 700μA, I/P to O/P or I/P @230V input	
<b>Environment</b>	Ta/Operation Temperature	-25....+35 C	
	Ts/Storage Temperature	-25....+75 C	
	Tc/Enclosure Temperature	75 C	
	Humidity	10%....90%RH	
	Atmosphere pressure	86-108KPa	
<b>Construction</b>	Connection Method	Push-in Terminal	
	Installation	Independent	
	SEC Wire preparation	0.5-1.5 <sup>□</sup>	
	Dimension	217.8*31.1*42.2mm (L*W*H)	
<b>Standards</b>	Certification	CE	
	Safety Standards	EN61347-1:2015/A1:2021;EN61347-2-13:2014/A1:2017;	
	DALI performance	EN 62386-101 (DALI-2),EN 62386-102 (DALI-2) EN 62386-207 (DALI-2, including part 251, 252, 253)	
	Performance	EN 62384	
	Surge	L/N-Ground:2kV; L-N:1kV	
<b>Others</b>	RoHs	complied to 2011/65/EU	
	Life Time	50000h	Tc=75 C
		75000h	Tc=70 C
		100000h	Tc=65 C
Warranty	5years , F.R. < 10000ppm		

**Remark:**

- All Parameters, if not specified, are measured at 230VAC/50Hz and 25 C ambient temperature.
- LED Driver is a component of the luminaires, Luminaires and wire layout will affect the EMC, please check the EMC with end products again.
- During the PUSH DIM test,the number of parallel connections must be less than 15PCS.

Distance	15m	30m	50m
Cable selection	0.5mm <sup>2</sup>	0.75mm <sup>2</sup>	1.0mm <sup>2</sup>

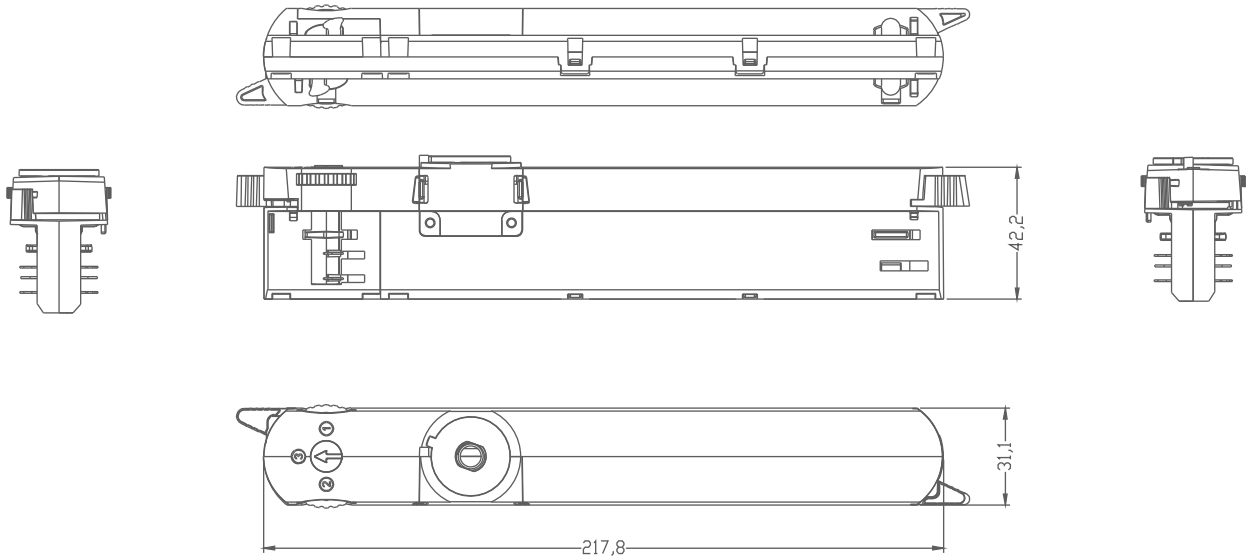
### Output Current Setting

Output Current	1	2	3	4
100mA	-	-	-	-
150mA	-	-	-	ON
200mA	-	-	ON	-
250mA	-	-	ON	ON
300mA	-	ON	-	-
350mA	-	ON	-	ON
400mA	-	ON	ON	-
450mA	-	ON	ON	ON
500mA	ON	-	-	-
550mA	ON	-	-	ON
600mA	ON	-	ON	-
650mA	ON	-	ON	ON
700mA	ON	ON	-	-
750mA	ON	ON	-	ON

### Label

BLACK (RAL9011)/ WHITE (RAL9010)/ GRAY (RAL7040)

**Dimension**



**Wiring Diagram**

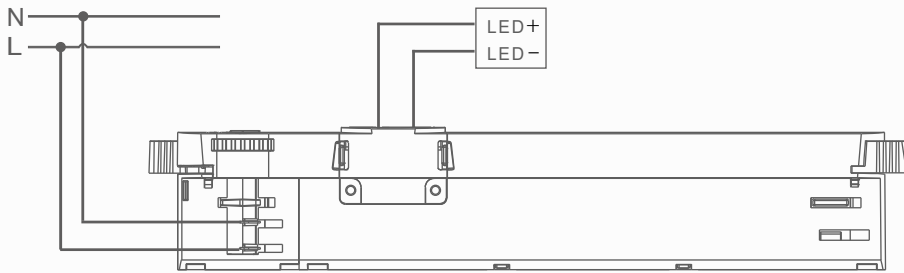


Fig. A: Push Dimming

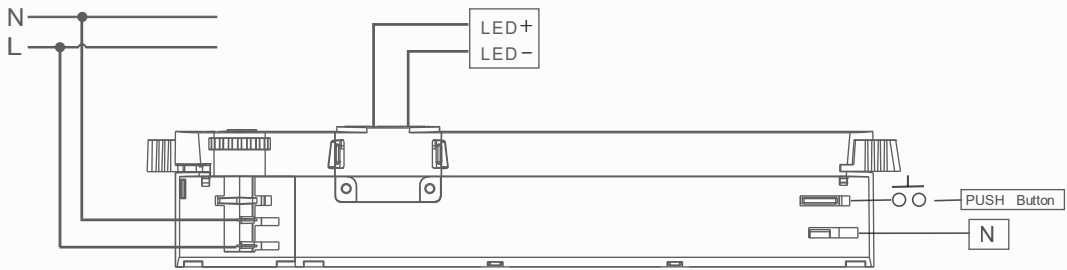
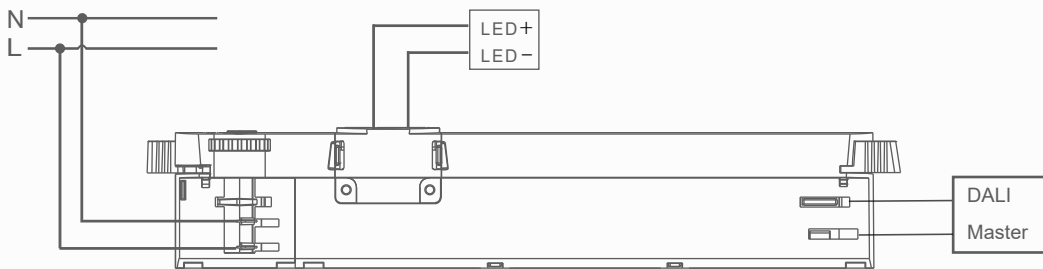
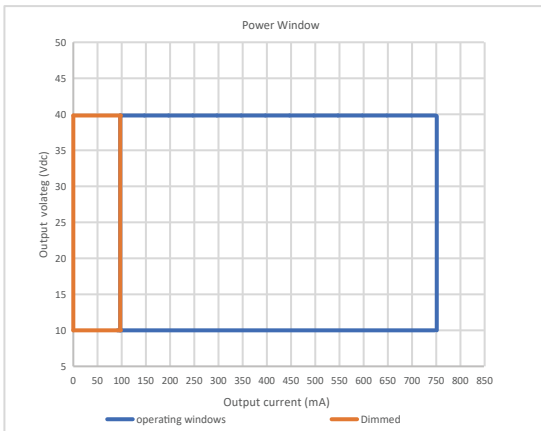


Fig. B: DALI Dimming



## Electrical values

### 1. Operating power windows



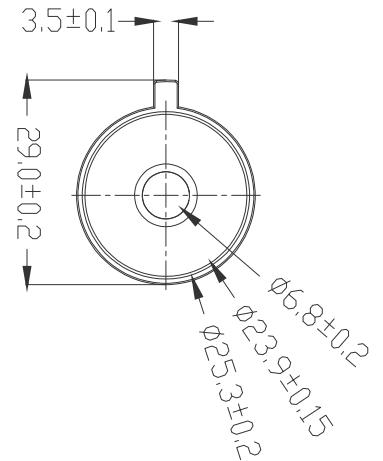
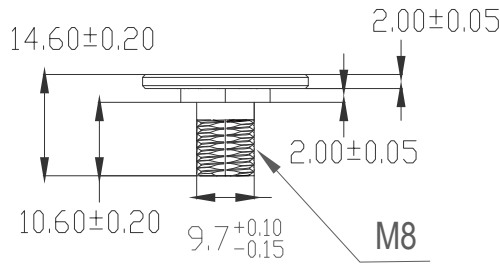
## Lamp Screw Type

- Optional threaded sleeve for luminaire mounting
- Suitable for M10x1x8 threaded nut
- Additional mounting equipment, e.g. M10x1x12
- aluminium, black, white
- further on request

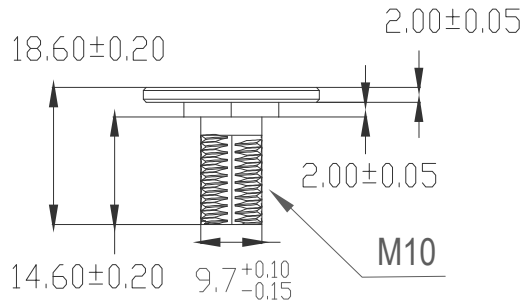
### Ordering data 1

Type	Colour	Qty/ctn	Weight/pcs
M10x1x8	White	2500	9.6g
	Black	2500	9.6g
	Grey	2500	9.6g
M10x1x12	White	2500	10.0g
	Black	2500	10.0g
	Grey	2500	10.0g

M10X1X8 (White)



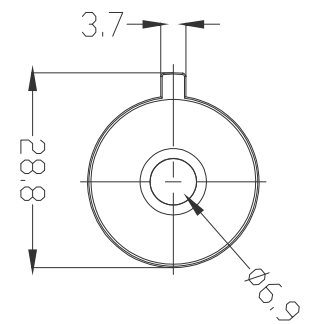
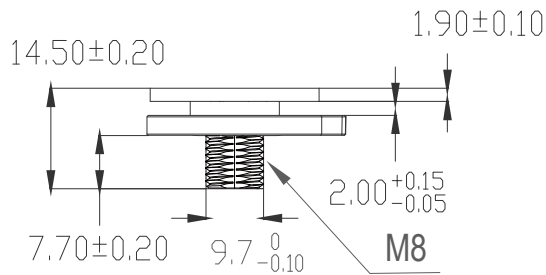
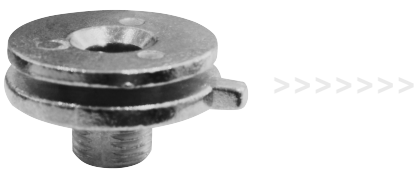
M10X1X12 (White)



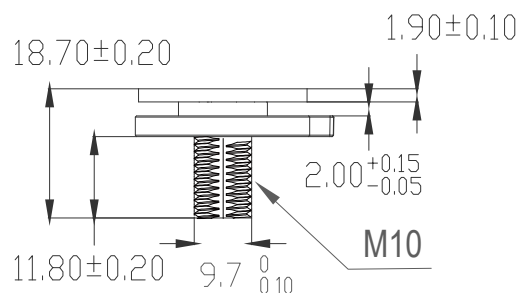
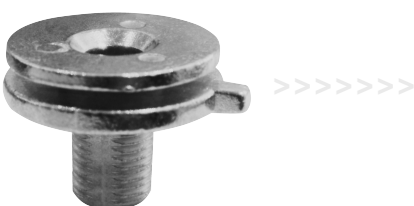
Ordering data 2

Type	Colour	Qty/ctn	Weight/pcs
M10x1x8	White	2500	16.0g
	Black	2500	16.0g
	Primary color	2500	16.0g
M10x1x12	White	2500	16.9g
	Black	2500	16.9g
	Primary color	2500	16.9g

M10X1X8 (Primary color)



M10X1X12 (Primary color)



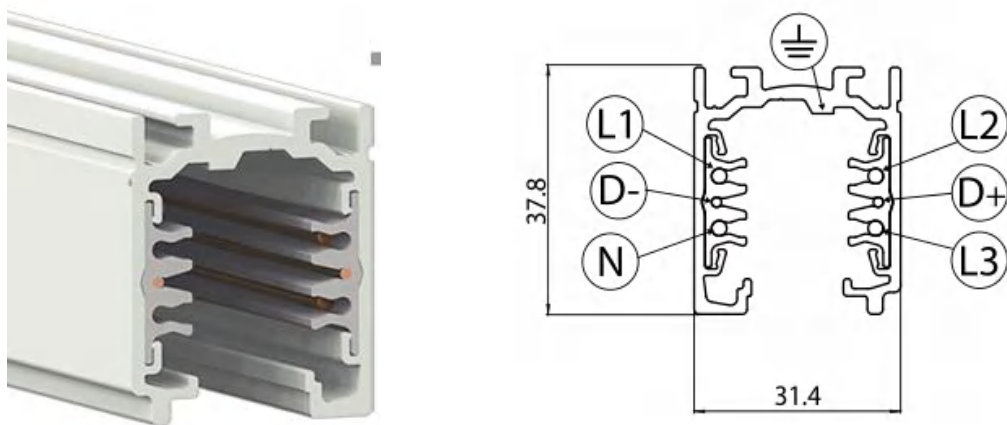
Suitable for following tracks

Serial number	Brand	Track model	Serial number
1	Global	XTS 4&XTSF 4	3P
2	Stucchi	9000XX Series	3P
3	Eutrac	2510x	3P
4	Unipro	T32B	3P
5	Lvela	7501	3P

**Remark:**

- 1.The model name is XTS 4 and XTSF 4 tracks, and its brand is Global.
- 2.The model name used is the 9000XX track,and its brand is Stucchi.The“XX in the model name represents: it represents a different color.
3. The model name is 2510x tracks, and its brand is Eutrac.The“x”in the model name represents: it represents a different color(x=1white;x=2 black;x=3silverx=8 grey).
4. The model name is T32B tracksand its brand is Unipro.
5. The model name is 7501 tracks, and its brand is lvela.

Phase track light rail specification:

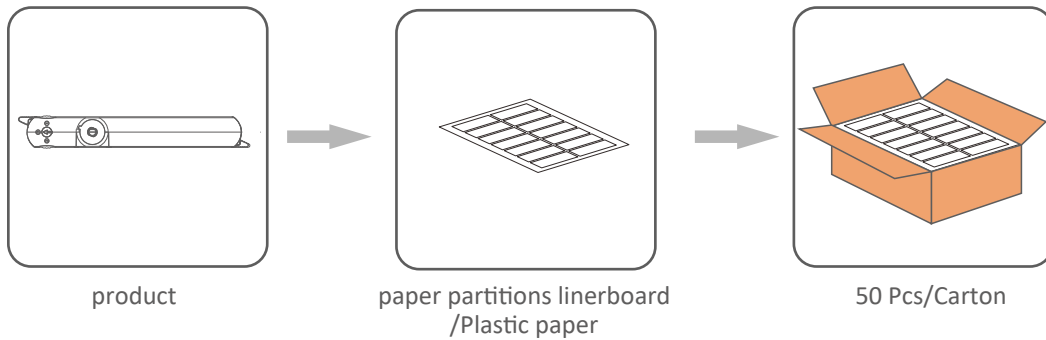


**Lighting track adapter and rail system installation diagram:**



The adaptor shall be given that the use is limited to the track system specified.

**Packing information**



Model	Carton L*W*H(mm)	Pcs/- Carton	Net weight/ Pcs(kg)	Net weight/ Carton(kg)	Cross weight/- Carton(kg)
S-530-C30W100-750CG -6X DALI	395*295*125	50	T.B.D	T.B.D	T.B.D



## Wiring instructions

- All connections must be kept as short as possible to ensure good EMI behaviour
- Mains leads should be kept apart from LED Driver and other leads(ideally 5-10 cm distance)
- Advice the maximum length of output wires is 3m
- Secondary switching is not permitted(Except for constant voltage)
- Incorrect wiring can damage LED modules.
- The wiring must be protected against short circuits to earth(sharp edged metals parts,metal cable clips, louver, etc.)

## Push Dim :

### 1.On / off:

Short push (120ms-600ms) on the switch,Stepless dimming: long push (> 0.6sec) on the switch.

### 2.Power-on memory function

When the LED driver is powered on, it will restore the memory before the LED driver is powered off.

(brightness remembers the brightness after the last dimming is stable, and the bright ness during dimming is not memorized)

### 3.Light on/off

If the light is on, the light will be off after a short press. If the light is off, the light will be on after a short press.

The time range of short press is 120-600mS.

### 4.PUSH Dimming

Press and hold the push switch for a long time, the light will enter the dimming state, if the previous time is dimming, it will automatically turn to dimming the next time.After releasing the reset button, the dimming stops and the current illuminance is maintained. The dimming range is 1%-100%. The default is to dim when the power is first long-press. If the brightness of the power-on is the maximum brightness, the first long-press is to dim. (Long press 0.6-3S to start dimming.)

5.Forced synchronization

Long press for 10 seconds to turn on all the lights and turn on the same brightness (50%), and continue to quickly short press will not change. After a short period of time without short press operation, the module exits the synchronization mode, and the short press restores the switch function.

6.PUSH Dimming rate

Long press the push switch 10S to switch the dimming rate to 3S, Long press the push switch 20S to switch the dimming rate to 6S.

**REVISION HISTORY**

Date	Revision	Remark