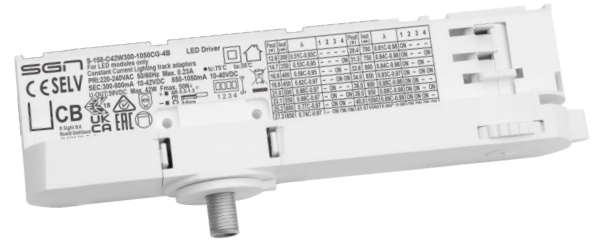


Constant Current Driver

- The housing is made from V0 flame retardant PC materials from COVESTRO.
- Small size and light weight. Wide range of applicable lamps.
- Class 2 LED driver, Safety Extra Low Voltage (SELV).
- Innovative thermal management technology intelligently protects the life of the LED driver.
- Overheat, overload, short circuit protection and automatic recovery.
- Up to 50,000-hour life time.
- 5-year warranty (AiSHi capacitor).



The certification icon represents on-going certification applications only, and final certification qualification is subject to actual products.



| Model | Output Current | Input Current | Input Power | Output Power Range | PF | Typical Efficiency | Output Voltage | No load Voltage |
|---|----------------|---------------|--------------|--------------------|-----------|--------------------|----------------|-----------------|
| S-158-C42W300-1050CG-4X / S-158-C42W300-1050CG-4X / S-158-C42W300-1050CG-4X | 300mA | 0.08A | 14.31W | 3.00-12.60W | 0.51-0.93 | 88% | 10-42V | 59V |
| | 350mA | 0.09A | 16.51W | 3.50-14.70W | 0.53-0.95 | 89% | 10-42V | 59V |
| | 400mA | 0.11A | 18.87W | 4.00-16.80W | 0.59-0.95 | 89% | 10-42V | 59V |
| | 450mA | 0.12A | 21.23W | 4.50-18.90W | 0.62-0.97 | 89% | 10-42V | 59V |
| | 500mA | 0.13A | 23.33W | 5.00-21.00W | 0.68-0.97 | 90% | 10-42V | 59V |
| | 550mA | 0.14A | 25.66W | 5.50-23.10W | 0.69-0.97 | 90% | 10-42V | 59V |
| | 600mA | 0.15A | 28.00W | 6.00-25.20W | 0.77-0.97 | 90% | 10-42V | 59V |
| | 650mA | 0.16A | 30.33W | 6.50-27.30W | 0.75-0.97 | 90% | 10-42V | 59V |
| | 700mA | 0.17A | 32.66W | 7.00-29.40W | 0.81-0.98 | 90% | 10-42V | 59V |
| | 750mA | 0.18A | 35.00W | 7.50-31.50W | 0.84-0.98 | 90% | 10-42V | 59V |
| | 800mA | 0.20A | 37.33W | 8.00-33.60W | 0.84-0.98 | 90% | 10-42V | 59V |
| | 850mA | 0.21A | 37.77W | 8.50-34.00W | 0.83-0.97 | 90% | 10-40V | 59V |
| | 900mA | 0.22A | 40.00W | 9.00-36.00W | 0.88-0.98 | 90% | 10-40V | 59V |
| | 950mA | 0.22A | 42.22W | 9.50-38.00W | 0.88-0.98 | 90% | 10-40V | 59V |
| 1000mA | 0.23A | 44.44W | 10.00-40.00W | 0.89-0.98 | 90% | 10-40V | 59V | |
| 1050mA | 0.23A | 46.66W | 10.50-42.00W | 0.90-0.98 | 90% | 10-40V | 59V | |

* Test result @230V, 50Hz, Full Load

Parameters

| Category | Item | Technical Norm |
|----------|---------------------------|-------------------------------|
| Features | Output Type | Constant Current |
| | Output Features | Isolation |
| | IP Grade | IP20 |
| | Insulation Class | Class II (compatible Class I) |
| | Rated Input Voltage | 220-240VAC |
| | Range of Input Voltage | 198-264VAC |
| | Range of DC Input Voltage | 180-280VDC |
| | Frequency | 50/60Hz |
| | Overvoltage protection | 2h@380VAC, 48h@320VAC |
| | Input Current | ≤0.23A (230VAC, full load) |

| | | |
|--|--|--|
| Input | Input Power | ≤45.65W (230VAC, full load) |
| | Power Factor | ≥0.98 (230VAC, full load) |
| | THD | ≤20% (230VAC, full load) |
| | No-load Power Consumption | ≤0.50W @230VAC |
| | Inrush Current | ≤9.5A/16us (230VAC, full load) |
| | Connected quantity of 10A Breaker Connected quantity of 13A Breaker Connected quantity of 16A Breaker Connected quantity of 20A Breaker | 21pcs/type A ;33pcs/type B ;53pcs/type C@230Vac 26pcs/type A ;42pcs/type B ;68pcs/type C@230Vac 33pcs/type A ;53pcs/type B ;84pcs/type C@230Vac 41pcs/type A ;66pcs/type B ;105pcs/type C@230Vac |
| Output | Output Voltage Range | 10-42VDC@300-800mA ; 10-40VDC@850-1050mA |
| | No-load Voltage | 59VDC Max. |
| | Output Current | 300mA-1050mA (Max.output) , Factory set current of 300mA |
| | Max. Output Power | 42W |
| | Efficiency | ≥90% (230VAC, full load) |
| | Output LF current ripple (< 120 Hz) | ±3% (Imax-Imin) / (Imax+Imin) |
| | Current Accuracy | ±5% |
| | Starting Delay Time | ≤0.5S (230VAC, full load) |
| | Pst LM | ≤1 |
| | SVM | ≤0.4 |
| Protection | Short Circuit Protection | Auto Recovery |
| | Overload Protection | Auto Recovery (not be hot swap) |
| | No-load Protection | Auto Recovery |
| | Insulation voltage | 3000V 5mA 60S between P-S |
| | Insulation resistance | >100M ohm @ 500VDC |
| | Leakage current | < 700μA, I/P to O/P @230V input |
| Environment | Ta/Operation Temperature | -25....+35 C |
| | Ts/Storage Temperature | -25....+75 C |
| | Tc/Enclosure Temperature | 75 C |
| | Humidity | 10%....90%RH |
| | Atmosphere pressure | 86-108KPa |
| Construction | Installation | Independent |
| | SEC Wire preparation | 0.5-1.5 [□] |
| | Dimension | 158*31.1*42.1mm (L*W*H) |
| Standards | Certification | CE/ENEC/RCM/UKCA/EAC/CB |
| | Safety Standards | EN61347-1:2015/A1:2021; EN61347-2-13:2014/A1:2017; EN62384:2006/A1:2009; AS 61347.2.13:2018; AS/NZS61347.1:2016; BS EN61347-1:2015/A1:2021; BS EN61347-2-13:2014/A1:2017; IEC 61347-1-1:2015+A1:2017; IEC 61347-13:2014+A1:2016; |
| | EMC Standards | AS/NZS CISPR 15:2011; AS CISPR 15:2017; BS EN IEC 55015:2019+A11:2020;EN 61547:2009; BS EN IEC 61000-3-2:2019; BS EN IEC 61000-3-3:2013+A1:2019; |
| | Performance | EN 62384 |
| | Surge | L-N:2kV |
| Others | RoHs | complied to 2011/65/EU |
| | Life Time | 50000h Tc=75 C |
| | | 75000h Tc=70 C |
| | | 100000h Tc=65 C |
| Warranty | 5years , F.R. < 10000ppm | |
| Remark: | | |
| 1.All Parameters, if not specified, are measured at 230VAC/50Hz and 25 C ambient temperature. | | |
| 2.LED Driver is a component of the luminaires, Luminaires and wire layout will affect the EMC, please check the EMC with end products again. | | |

| Distance | 15m | 30m | 50m |
|-----------------|--------------------|---------------------|--------------------|
| Cable selection | 0.5mm ² | 0.75mm ² | 1.0mm ² |

Label

BLACK (RAL9011)

S-158-C42W300-1050CG-4B LED Driver
For LED modules only
Constant Current Lighting track adaptors
PRI:220-240VAC 50/60Hz Max. 0.23A •tc:75°C ta:35°C
SEC:300-800mA 10-42VDC 850-1050mA 10-40VDC
U-OUT:59VDC Max.42W Fmax. 50N+
+ 0.5-1.5
- 8-9mm

| Pout [W] | Iout [mA] | λ | 1 | 2 | 3 | 4 | Pout [W] | Iout [mA] | λ | 1 | 2 | 3 | 4 |
|----------|-----------|-------------|---|----|----|----|----------|-----------|------------|----|----|----|----|
| 12.6 | 300 | 0.51C-0.93C | - | - | - | - | 29.4 | 700 | 0.81C-0.98 | ON | - | - | - |
| 14.7 | 350 | 0.53C-0.95 | - | - | - | ON | 31.5 | 750 | 0.84C-0.98 | ON | - | - | ON |
| 16.8 | 400 | 0.58C-0.95 | - | - | ON | - | 33.6 | 800 | 0.84C-0.98 | ON | - | ON | - |
| 18.9 | 450 | 0.62C-0.97 | - | - | ON | ON | 34.0 | 850 | 0.83C-0.97 | ON | - | ON | ON |
| 21.0 | 500 | 0.68C-0.97 | - | ON | - | - | 36.0 | 900 | 0.88C-0.98 | ON | ON | - | - |
| 23.1 | 550 | 0.69C-0.97 | - | ON | - | ON | 38.0 | 950 | 0.88C-0.98 | ON | ON | - | ON |
| 25.2 | 600 | 0.77C-0.97 | - | ON | ON | - | 40.0 | 1000 | 0.89C-0.98 | ON | ON | ON | - |
| 27.3 | 650 | 0.74C-0.97 | - | ON | ON | ON | 42.0 | 1050 | 0.90C-0.98 | ON | ON | ON | ON |

WHITE (RAL9010)

S-158-C42W300-1050CG-4W LED Driver
For LED modules only
Constant Current Lighting track adaptors
PRI:220-240VAC 50/60Hz Max. 0.23A •tc:75°C ta:35°C
SEC:300-800mA 10-42VDC 850-1050mA 10-40VDC
U-OUT:59VDC Max.42W Fmax. 50N+
+ 0.5-1.5
- 8-9mm

| Pout [W] | Iout [mA] | λ | 1 | 2 | 3 | 4 | Pout [W] | Iout [mA] | λ | 1 | 2 | 3 | 4 |
|----------|-----------|-------------|---|----|----|----|----------|-----------|------------|----|----|----|----|
| 12.6 | 300 | 0.51C-0.93C | - | - | - | - | 29.4 | 700 | 0.81C-0.98 | ON | - | - | - |
| 14.7 | 350 | 0.53C-0.95 | - | - | - | ON | 31.5 | 750 | 0.84C-0.98 | ON | - | - | ON |
| 16.8 | 400 | 0.58C-0.95 | - | - | ON | - | 33.6 | 800 | 0.84C-0.98 | ON | - | ON | - |
| 18.9 | 450 | 0.62C-0.97 | - | - | ON | ON | 34.0 | 850 | 0.83C-0.97 | ON | - | ON | ON |
| 21.0 | 500 | 0.68C-0.97 | - | ON | - | - | 36.0 | 900 | 0.88C-0.98 | ON | ON | - | - |
| 23.1 | 550 | 0.69C-0.97 | - | ON | - | ON | 38.0 | 950 | 0.88C-0.98 | ON | ON | - | ON |
| 25.2 | 600 | 0.77C-0.97 | - | ON | ON | - | 40.0 | 1000 | 0.89C-0.98 | ON | ON | ON | - |
| 27.3 | 650 | 0.74C-0.97 | - | ON | ON | ON | 42.0 | 1050 | 0.90C-0.98 | ON | ON | ON | ON |

GRAY (RAL7040)

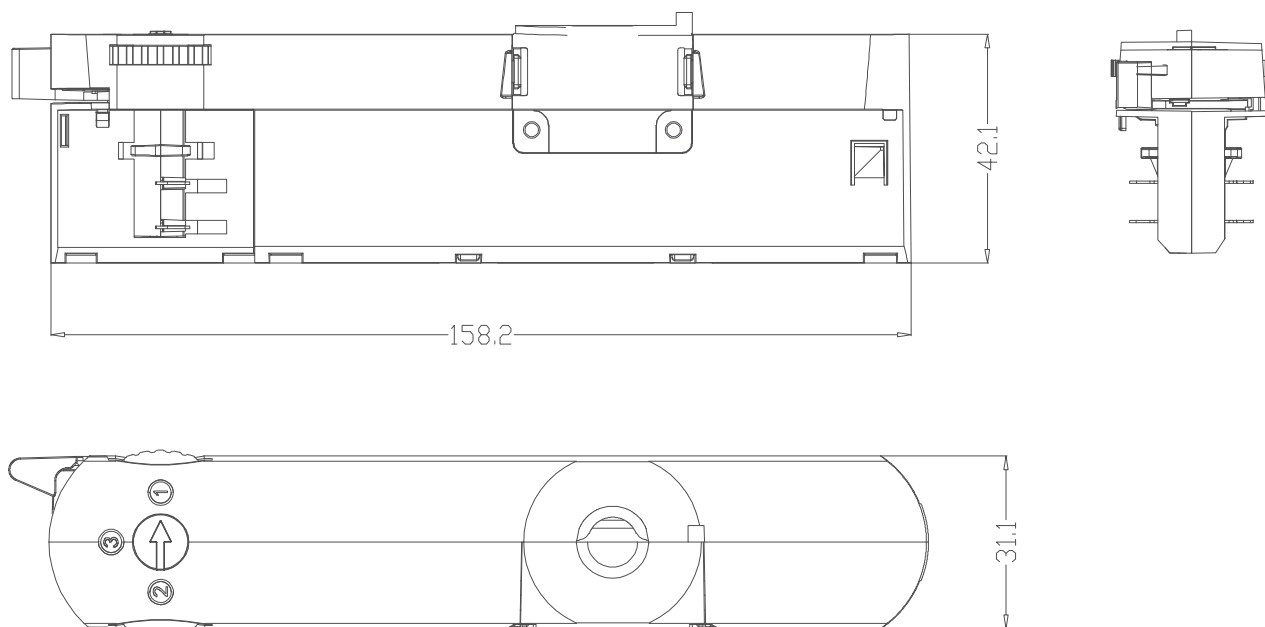
S-158-C42W300-1050CG-4G LED Driver
For LED modules only
Constant Current Lighting track adaptors
PRI:220-240VAC 50/60Hz Max. 0.23A •tc:75°C ta:35°C
SEC:300-800mA 10-42VDC 850-1050mA 10-40VDC
U-OUT:59VDC Max.42W Fmax. 50N+
+ 0.5-1.5
- 8-9mm

| Pout [W] | Iout [mA] | λ | 1 | 2 | 3 | 4 | Pout [W] | Iout [mA] | λ | 1 | 2 | 3 | 4 |
|----------|-----------|-------------|---|----|----|----|----------|-----------|------------|----|----|----|----|
| 12.6 | 300 | 0.51C-0.93C | - | - | - | - | 29.4 | 700 | 0.81C-0.98 | ON | - | - | - |
| 14.7 | 350 | 0.53C-0.95 | - | - | - | ON | 31.5 | 750 | 0.84C-0.98 | ON | - | - | ON |
| 16.8 | 400 | 0.58C-0.95 | - | - | ON | - | 33.6 | 800 | 0.84C-0.98 | ON | - | ON | - |
| 18.9 | 450 | 0.62C-0.97 | - | - | ON | ON | 34.0 | 850 | 0.83C-0.97 | ON | - | ON | ON |
| 21.0 | 500 | 0.68C-0.97 | - | ON | - | - | 36.0 | 900 | 0.88C-0.98 | ON | ON | - | - |
| 23.1 | 550 | 0.69C-0.97 | - | ON | - | ON | 38.0 | 950 | 0.88C-0.98 | ON | ON | - | ON |
| 25.2 | 600 | 0.77C-0.97 | - | ON | ON | - | 40.0 | 1000 | 0.89C-0.98 | ON | ON | ON | - |
| 27.3 | 650 | 0.74C-0.97 | - | ON | ON | ON | 42.0 | 1050 | 0.90C-0.98 | ON | ON | ON | ON |

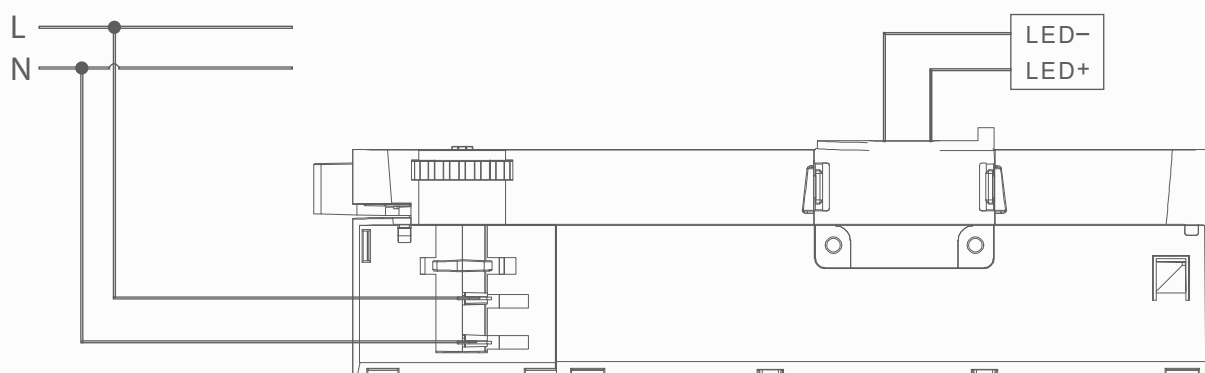
Output Current Setting

| Output Current | 1 | 2 | 3 | 4 |
|----------------|----|----|----|----|
| 300mA | - | - | - | - |
| 350mA | - | - | - | ON |
| 400mA | - | - | ON | - |
| 450mA | - | - | ON | ON |
| 500mA | - | ON | - | - |
| 550mA | - | ON | - | ON |
| 600mA | - | ON | ON | - |
| 650mA | - | ON | ON | ON |
| 700mA | ON | - | - | - |
| 750mA | ON | - | - | ON |
| 800mA | ON | - | ON | - |
| 850mA | ON | - | ON | ON |
| 900mA | ON | ON | - | - |
| 950mA | ON | ON | - | ON |
| 1000mA | ON | ON | ON | - |
| 1050mA | ON | ON | ON | ON |

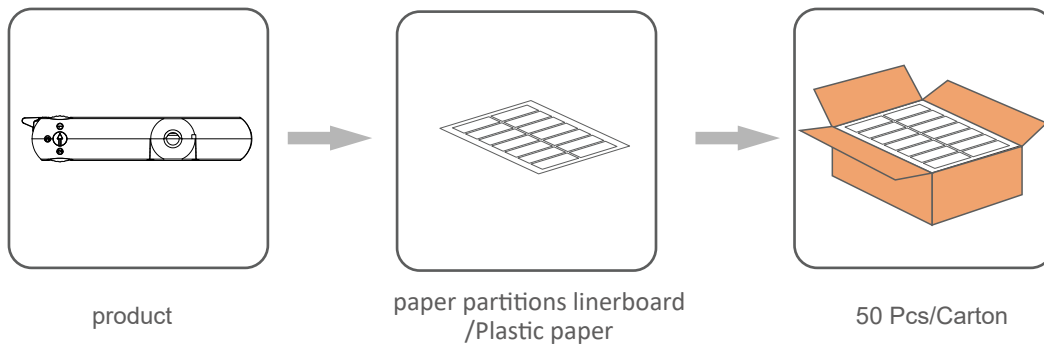
Dimension (Unit: mm)



Wiring Diagram



Packing information



| Model | Carton L*W*H(mm) | Pcs/- Carton | Net weight/ Pcs(kg) | Net weight/ Carton(kg) | Cross weight/- Carton(kg) |
|-------------------------|---------------------|-----------------|------------------------|---------------------------|------------------------------|
| S-158-C42W300-1050CG-4X | 395*295*125 | 50 | T.B.D | T.B.D | T.B.D |

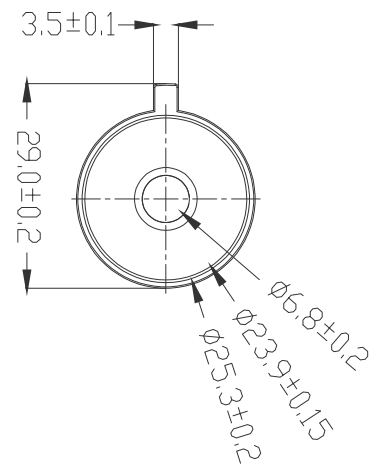
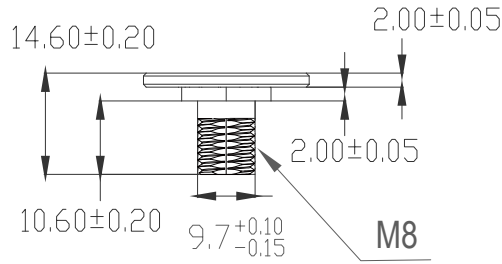
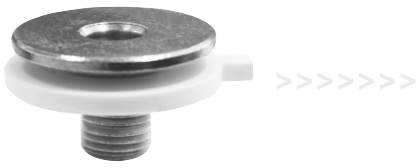
Lamp Screw Type

- Optional threaded sleeve for luminaire mounting
- Suitable for M10x1x8 threaded nut
- Additional mounting equipment, e.g. M10x1x12
- aluminium, black, white
- further on request

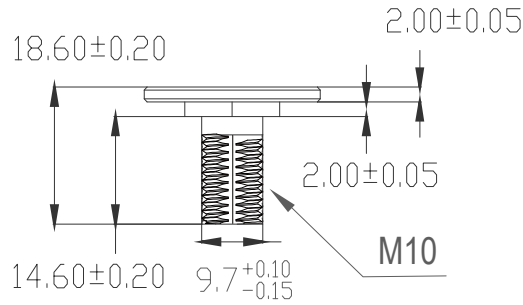
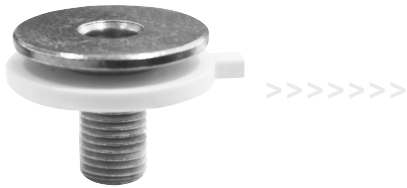
Ordering data 1

| Type | Colour | Qty/ctn | Weight/pcs |
|----------|--------|---------|------------|
| M10x1x8 | White | 2500 | 9.6g |
| | Black | 2500 | 9.6g |
| | Grey | 2500 | 9.6g |
| M10x1x12 | White | 2500 | 10.0g |
| | Black | 2500 | 10.0g |
| | Grey | 2500 | 10.0g |

M10X1X8 (White)



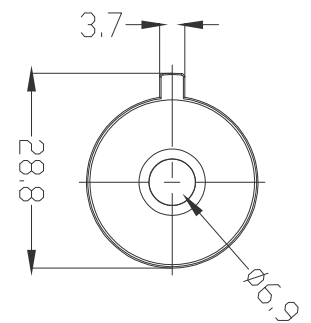
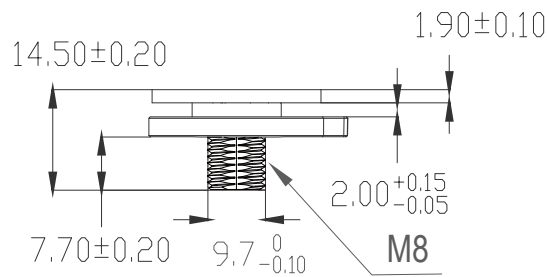
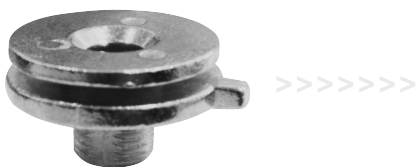
M10X1X12 (White)



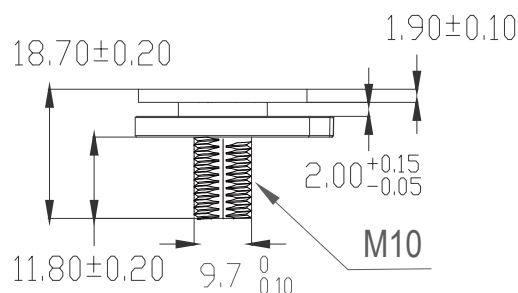
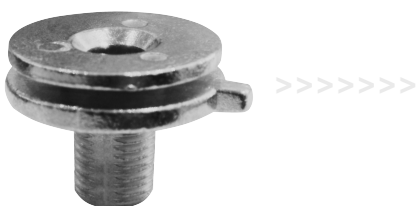
Ordering data 2

| Type | Colour | Qty/ctn | Weight/pcs |
|----------|---------------|---------|------------|
| M10x1x8 | White | 2500 | 16.0g |
| | Black | 2500 | 16.0g |
| | Primary color | 2500 | 16.0g |
| M10x1x12 | White | 2500 | 16.9g |
| | Black | 2500 | 16.9g |
| | Primary color | 2500 | 16.9g |

M10X1X8 (Primary color)

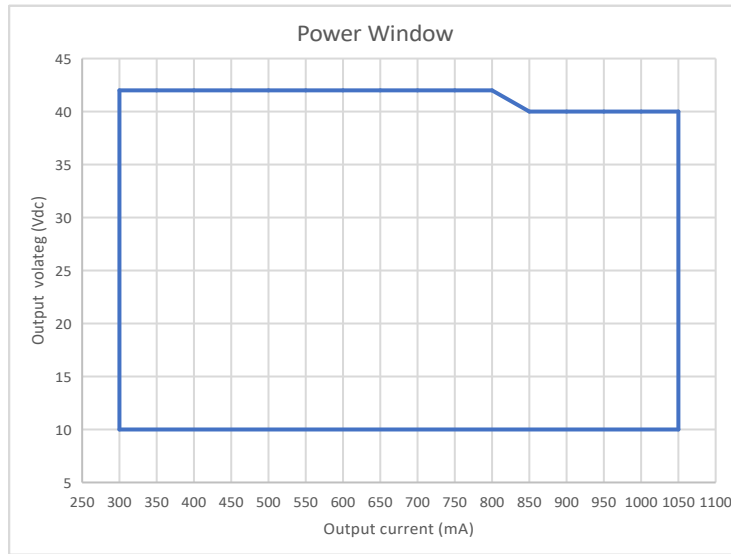


M10X1X12 (Primary color)



Electrical values

1. Operating power windows



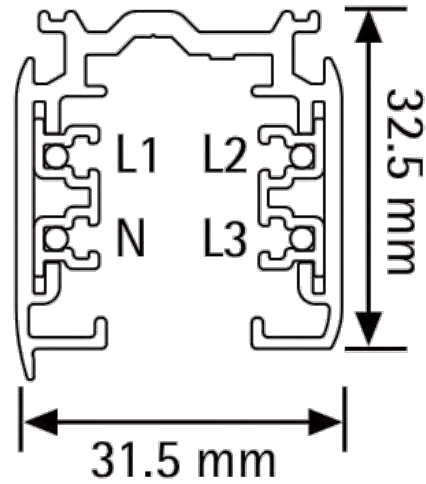
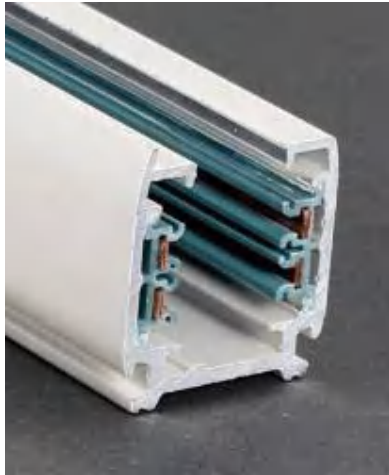
Suitable for following tracks

| Serial number | Brand | Track model | Serial number |
|---------------|---------|---------------|---------------|
| 1 | Global | XTS 4&XTSF 4 | 3P |
| 2 | Stucchi | 9000XX Series | 3P |
| 3 | Eutrac | 2510x | 3P |
| 4 | Unipro | T32B | 3P |
| 5 | Lvela | 7501 | 3P |

Remark:

- 1.The model name is XTS 4 and XTFS 4 tracks, and its brand is Global.
- 2.The model name used is the 9000XX track,and its brand is Stucchi.The“XX in the model name represents: it represents a different color.
3. The model name is 2510x tracks, and its brand is Eutrac.The“x”in the model name represents: it represents a different color(x=1 white;x=2 black;x=3silverx=8 grey).
4. The model name is T32B tracksand its brand is Unipro.
5. The model name is 7501 tracks, and its brand is Lvela.

Phase track light rail specification:



Lighting track adapter and rail system installation diagram:



The adaptor shall be given that the use is limited to the track system specified.

Wiring instructions

- All connections must be kept as short as possible to ensure good EMI behaviour
- Mains leads should be kept apart from LED Driver and other leads (ideally 5 – 10 cm distance)
- Advice the maximum length of output wires is 3 m
- Secondary switching is not permitted (Except for constant voltage)
- Incorrect wiring can damage LED modules.
- The wiring must be protected against short circuits to earth (sharp edged metals parts, metal cable clips, louver, etc.)

REVISION HISTORY

| Date | Revision | Remark |
|------|----------|--------|
| | | |
| | | |
| | | |
| | | |
| | | |
| | | |
| | | |
| | | |